

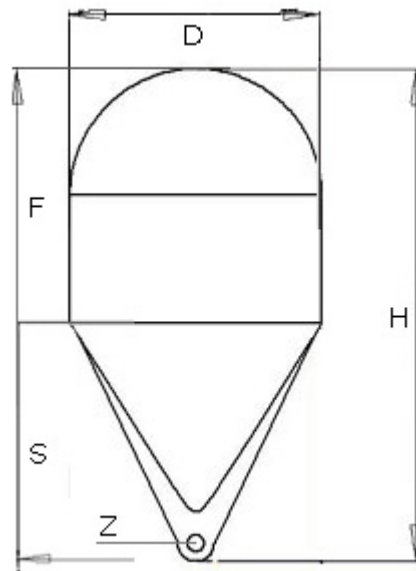
## NBM Nautical Buoys

NBM Nautical Buoys are manufactured from rotomoulded polyethylene with UV filters, with reinforcements of the mooring eye.

Especially designed for beach buoyage or channels where a temporary marking is required.

They can be supplied filled with polyurethane foam.

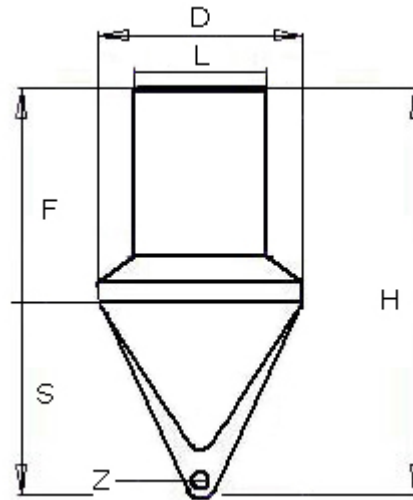
Designed according to IALA Recommendations.



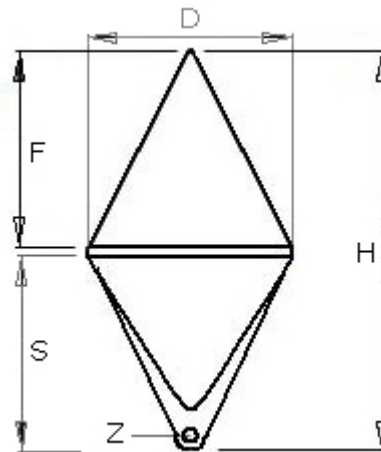
ESF BUOYS	H (mm)	F (mm)	S (mm)	DØ (mm)	ZØ (mm)	FLOTABILITY
NBM 04 ESF	660	315	345	400	38	45
NBM 08 ESF	1610	745	865	800	48	410



## NBM Nautical Buoys



CYLINDRICAL BUOYS	H (mm)	F (mm)	S (mm)	DØ (mm)	LØ (mm)	ZØ (mm)	FLOTABILITY
NBM 04 CIL	740	377	363	400	250	38	35
NBM 08 CIL	1610	960	650	800	500	48	290



CONICAL BUOYS	H (mm)	F (mm)	S (mm)	DØ (mm)	ZØ (mm)	FLOTABILITY
NBM 04 CON	640	277	363	400	38	25
NBM 08 CON	1600	800	800	800	48	200



**MEDITERRÁNEO SEÑALES MARÍTIMAS, S.L.L.**  
 Políg. Ind. Mas de Tous, calle Belgrado, nave 6 • 46185 La Pobla de Vallbona (Valencia) SPAIN  
 Tel.: +34 96 276 10 22 • Fax: +34 96 276 15 98 • VAT No.: ESB-97686158  
[mesemar@mesemar.com](mailto:mesemar@mesemar.com) • [www.mesemar.com](http://www.mesemar.com)

